

1

2

3

4

A

A

B

B

C

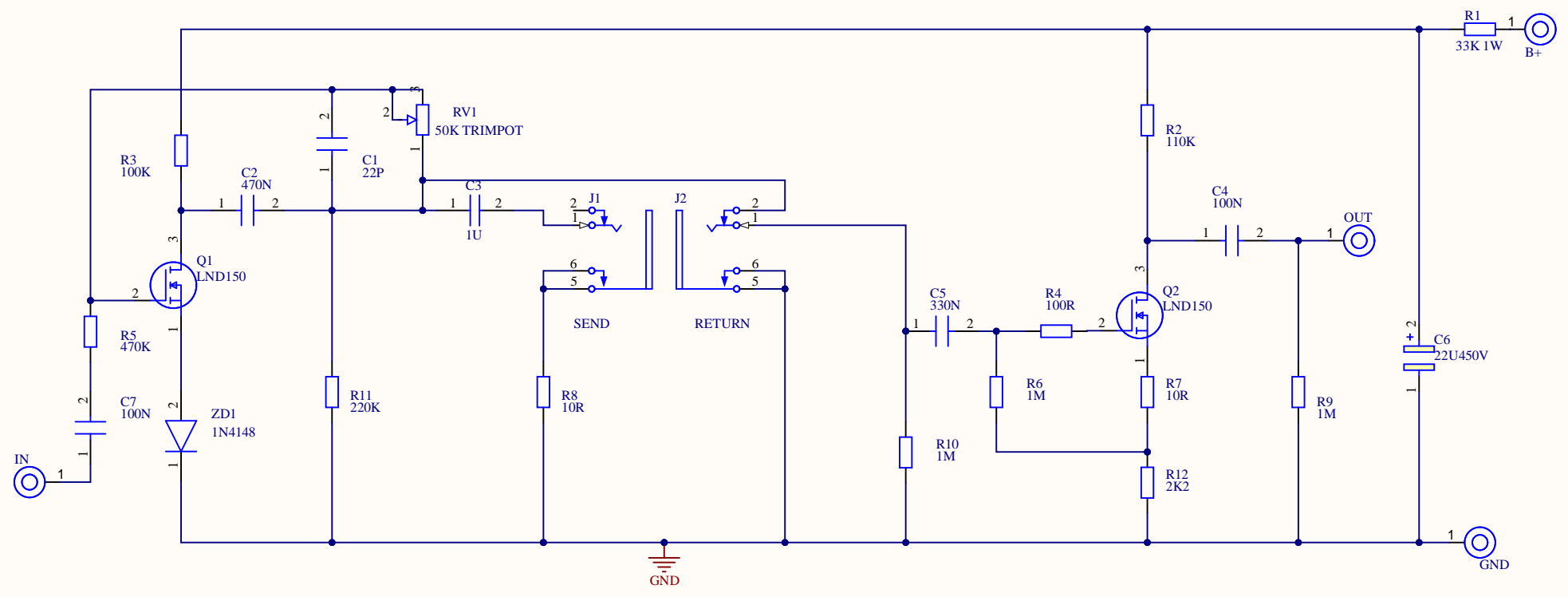
C

D

D

R1 DROP RESISTOR CHART

- 400-386V - 56K
- 385-366V - 47K
- 365-345V - 33K
- 344-326V - 22K
- 325-305V - 10K
- 304-280V - 4K7



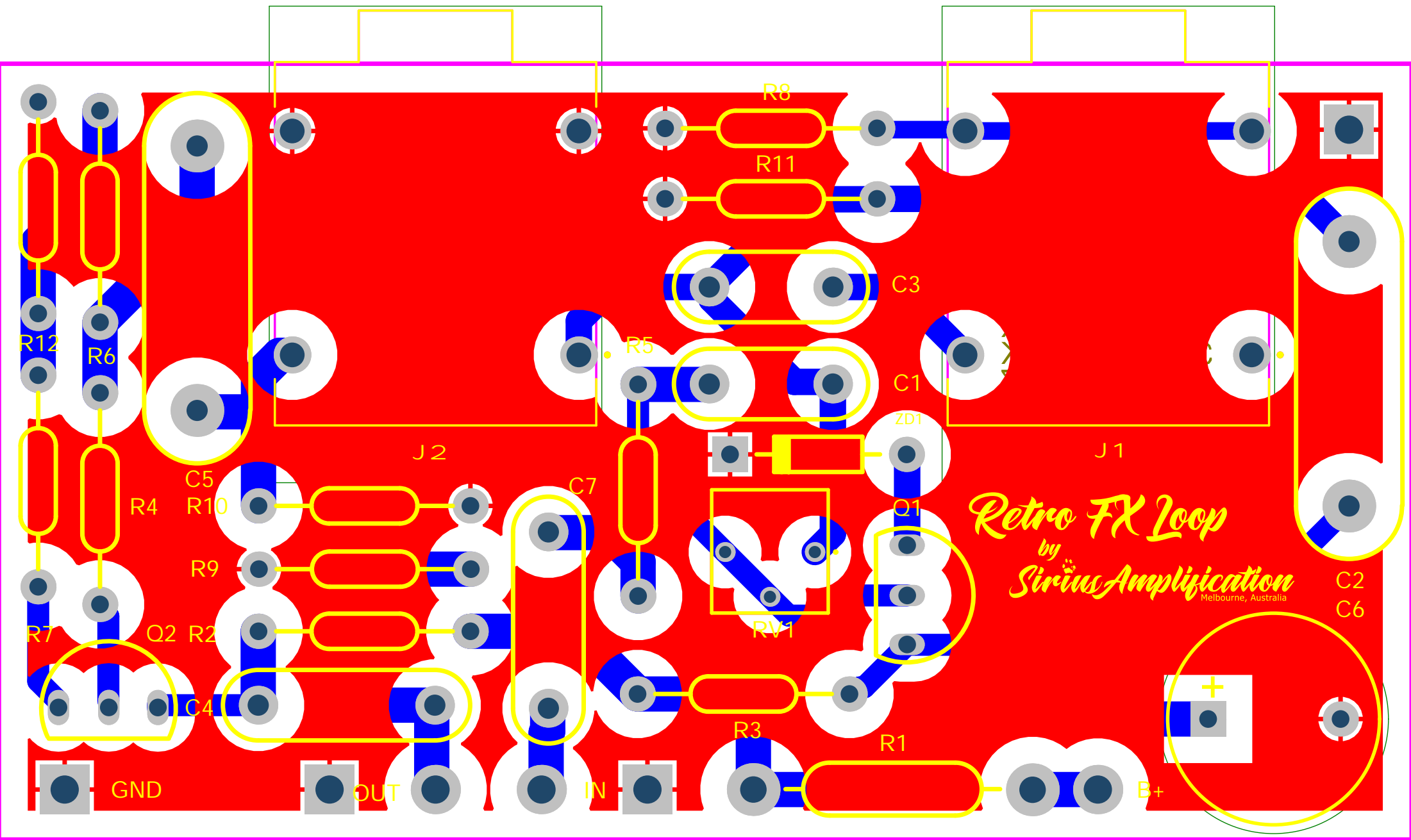
Title			RETRO FX LOOP
Size	Number	SIRIUS AMPLIFICATION	
A4		Revision	
Date:	9/11/2024	Sheet of	
File:	C:\Users\...\Retro FX Loop.SchDoc	Drawn By:	

1

2

3

4



*Retro FX Loop*  
by  
*Sirius Amplification*  
Melbourne, Australia

