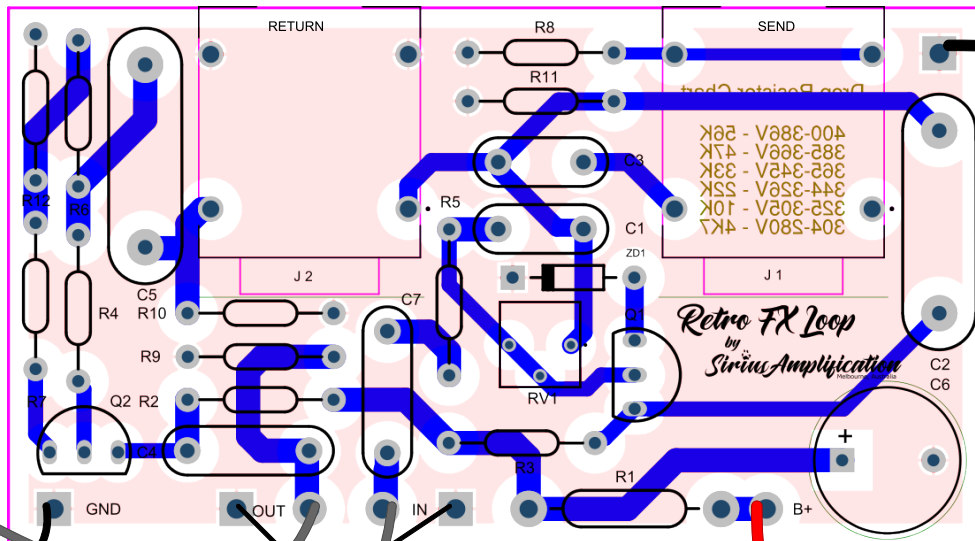


R1 DROP RESISTOR CHEAT SHEET

400V - 386V - 56K
 385V - 366V - 47K
 365V - 345V - 33K
 344V - 326V - 22K
 325V - 305V - 10K
 304V - 280V - 4K7

SWITCH UP: FULL BYPASS
 SWITCH DOWN: FX LOOP ON



400 - V088-004
 382 - 308V - 28K
 371 - V088-47K
 362 - 342V - 33K
 344 - 326V - 22K
 325 - V088-10K
 304 - V088-4K7

Retro FX Loop
 by
Sirius Amplification
Handbuilt in the USA

